

Kapasite **50-1000 ton**Strok: **50-300mm**Maksimum Çalışma Basıncı **700 bar**

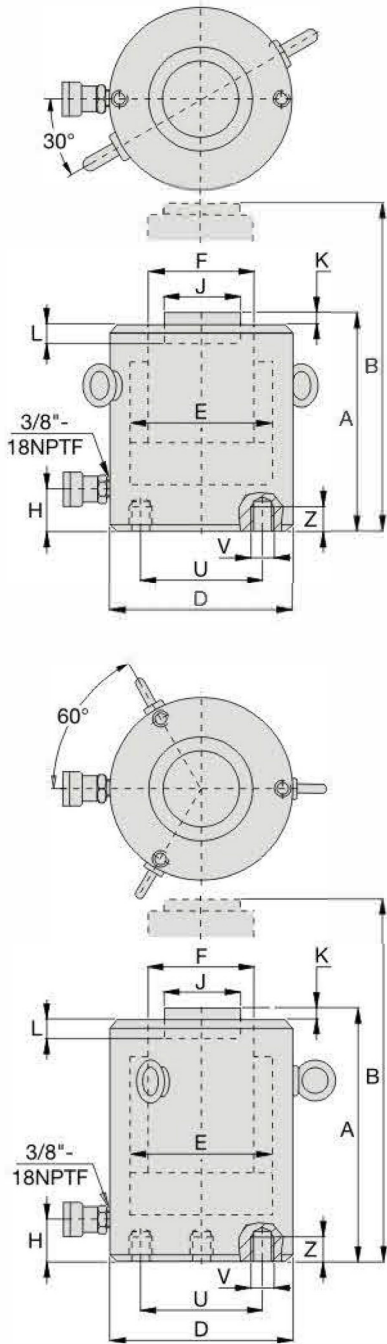
Standart Özellikler

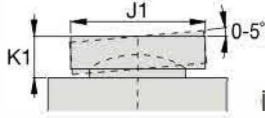
- Değiştirilebilir, sertleştirilmiş oluklu Sırtlıklar
- Üst ve yan montaj kaldırma gözü kapasitesi

- Dahili durdurma halkası piston patlaması koruması sağlar
- Dış yüzeyi pişirilmiş emaye ve kaplanmış pistonlar üstün korozyon koruması sağlar
- Değiştirilebilir, sertleştirilmiş oluklu Sırtlıklar standarttır
- Tüm modellerde temel montaj delikleri standarttır
- Plunger contası kirliliği azaltarak silindir ömrünü uzatır
- Tek etkili, yük geri dönüşlüdür.

Model Numarası	Silindir Kapasitesi ton (kN)	Strok (mm)	Silindir Etkili Alanı (cm ²)	Yağ Kapasitesi (cm ³)	Çökme Yüksekliği (mm)	KG
FCLSG-502	50 (539)	50	77.0	385	162	17
FCLSG-504		100	77.0	770	212	20
FCLSG-506		150	77.0	1155	262	23
FCLSG-508		200	77.0	1540	312	27
FCLSG-5010		250	77.0	1924	362	31
FCLSG-5012		300	77.0	2309	412	34
FCLSG-1002		100 (929)	50	132.7	664	182
FCLSG-1004	100		132.7	1327	232	29
FCLSG-1006	150		132.7	1991	282	40
FCLSG-1008	200		132.7	2655	332	50
FCLSG-10010	250		132.7	3318	382	61
FCLSG-10012	300		132.7	3982	432	71
FCLSG-1502	150 (1390)		50	198.6	993	196
FCLSG-1504		100	198.6	1986	246	52
FCLSG-1506		150	198.6	2978	296	65
FCLSG-1508		200	198.6	3971	246	78
FCLSG-15010		250	198.6	4964	296	92
FCLSG-15012		300	198.6	5957	446	105
FCLSG-2002		200 (1861)	50	265.9	1330	216
FCLSG-2006	150		265.9	3989	316	91
FCLSG-20012	300		265.9	7977	466	146
FCLSG-2502	250 (2565)	50	366.4	1832	235	102
FCLSG-2506		150	366.4	5497	335	136
FCLSG-25012		300	366.4	10993	485	207
FCLSG-3002	300 (3193)	50	456.2	2281	312	184
FCLSG-3006		150	456.2	6843	412	232
FCLSG-30012		300	456.2	13685	562	303
FCLSG-4002	400 (3919)	50	559.9	2800	375	270
FCLSG-4006		150	559.9	8399	475	330
FCLSG-40012		300	559.9	16797	625	421
FCLSG-5002	500 (5114)	50	730.6	3653	419	401
FCLSG-5006		150	730.6	10959	519	480
FCLSG-50012		300	730.6	21918	669	599
FCLSG-6002	600 (5987)	50	855.3	4276	429	474
FCLSG-6006		150	855.3	12829	529	565
FCLSG-60012		300	855.3	25659	679	701
FCLSG-8002	800 (8234)	50	1176.3	5881	474	741
FCLSG-8006		150	1176.3	17644	574	880
FCLSG-80012		300	1176.3	35288	724	1058
FCLSG-10002	1000 (10260)	50	1465.7	7329	564	1062
FCLSG-10006		150	1465.7	21986	664	1213
FCLSG-100012		300	1465.7	43972	812	1439

Model Numarası	Silindir Kapasitesi ton (kN)	Strok (mm)	Silindir Etkili Alanı (cm ²)	Yağ Kapasitesi (cm ³)
FCLSG-502	50 (539)	50	77.0	385
FCLSG-504		100	77.0	770
FCLSG-506		150	77.0	1155
FCLSG-508		200	77.0	1540
FCLSG-5010		250	77.0	1924
FCLSG-5012		300	77.0	2309
FCLSG-1002	100 (929)	50	132.7	664
FCLSG-1004		100	132.7	1327
FCLSG-1006		150	132.7	1991
FCLSG-1008		200	132.7	2655
FCLSG-10010		250	132.7	3318
FCLSG-10012		300	132.7	3982
FCLSG-1502	150 (1390)	50	198.6	993
FCLSG-1504		100	198.6	1986
FCLSG-1506		150	198.6	2978
FCLSG-1508		200	198.6	3971
FCLSG-15010		250	198.6	4964
FCLSG-15012		300	198.6	5957
FCLSG-2002	200 (1861)	50	265.9	1330
FCLSG-2006		150	265.9	3989
FCLSG-20012		300	265.9	7977
FCLSG-2502	250 (2565)	50	366.4	1832
FCLSG-2506		150	366.4	5497
FCLSG-25012		300	366.4	10993
FCLSG-3002	300 (3193)	50	456.2	2281
FCLSG-3006		150	456.2	6843
FCLSG-30012		300	456.2	13685
FCLSG-4002	400 (3919)	50	559.9	2800
FCLSG-4006		150	559.9	8399
FCLSG-40012		300	559.9	16797
FCLSG-5002	500 (5114)	50	730.6	3653
FCLSG-5006		150	730.6	10959
FCLSG-50012		300	730.6	21918
FCLSG-6002	600 (5987)	50	855.3	4276
FCLSG-6006		150	855.3	12829
FCLSG-60012		300	855.3	25659
FCLSG-8002	800 (8234)	50	1176.3	5881
FCLSG-8006		150	1176.3	17644
FCLSG-80012		300	1176.3	35288
FCLSG-10002	1000 (10260)	50	1465.7	7329
FCLSG-10006		150	1465.7	21986
FCLSG-100012		300	1465.7	43972





İsteğe Bağlı Eğimli Yatak*

Model Numarası	Kol. Yükseklik A (mm)	Uz. Yükseklik B (mm)	Dış Çap D (mm)	Silindir Çapı E (mm)	Piston Çapı F (mm)	Tabandan Porta H (mm)	Standart Taban Çapı J (mm)	Taban Çıkıntısı K (mm)	Piston Deliği Derinliği L (mm)	KG	İsteğe Bağlı Eğimli Taban		
											Taban Çapı J1 (mm)	Taban Yüksekliği K1 (mm)	Taban Model Numarası
FCLSG-502	162	212	130	99.0	70.0	52	50	1	19	17	50	24	FCATG-50
FCLSG-504	212	312	130	99.0	70.0	52	50	1	19	20	50	24	FCATG-50
FCLSG-506	262	412	130	99.0	70.0	52	50	1	19	23	50	24	FCATG-50
FCLSG-508	312	512	130	99.0	70.0	52	50	1	19	27	50	24	FCATG-50
FCLSG-5010	362	612	130	99.0	70.0	52	50	1	19	31	50	24	FCATG-50
FCLSG-5012	412	712	130	99.0	70.0	52	50	1	19	34	50	24	FCATG-50
FCLSG-1002	182	232	165	130.0	95.0	54	75	1	19	19	73	29	FCATG-100
FCLSG-1004	232	332	165	130.0	95.0	54	75	1	19	29	73	29	FCATG-100
FCLSG-1006	282	432	165	130.0	95.0	54	75	1	19	40	73	29	FCATG-100
FCLSG-1008	332	532	165	130.0	95.0	54	75	1	19	50	73	29	FCATG-100
FCLSG-10010	382	632	165	130.0	95.0	54	75	1	19	61	73	29	FCATG-100
FCLSG-10012	432	732	165	130.0	95.0	54	75	1	19	71	73	29	FCATG-100
FCLSG-1502	196	246	205	159.0	114.0	61	94	1	19	39	91	31	FCATG-150
FCLSG-1504	246	346	205	159.0	114.0	61	94	1	19	52	91	31	FCATG-150
FCLSG-1506	296	446	205	159.0	114.0	61	94	1	19	65	91	31	FCATG-150
FCLSG-1508	346	546	205	159.0	114.0	61	94	1	19	78	91	31	FCATG-150
FCLSG-15010	396	646	205	159.0	114.0	61	94	1	19	92	91	31	FCATG-150
FCLSG-15012	446	746	205	159.0	114.0	61	94	1	19	105	91	31	FCATG-150
FCLSG-2002	216	266	235	184.0	133.0	67	113	1	24	55	118	35	FCATG-200
FCLSG-2006	316	466	235	184.0	133.0	67	113	1	24	91	118	35	FCATG-200
FCLSG-20012	466	766	235	184.0	133.0	67	113	1	24	146	118	35	FCATG-200
FCLSG-2502	235	285	275	216.0	165.0	73	145	1	24	102	144	46	FCATG-250
FCLSG-2506	335	485	275	216.0	165.0	73	145	1	24	136	144	46	FCATG-250
FCLSG-25012	485	785	275	216.0	165.0	73	145	1	24	207	144	46	FCATG-250
FCLSG-3002	312	362	310	241.0	197.0	101	177	1	19	184	160	62	FCATG-300
FCLSG-3006	412	562	310	241.0	197.0	101	177	1	19	232	160	62	FCATG-300
FCLSG-30012	562	862	310	241.0	197.0	101	177	1	19	303	160	62	FCATG-300
FCLSG-4002	375	425	350	267.0	216.0	114	196	3	27	270	193	51	FCATG-400
FCLSG-4006	475	625	350	267.0	216.0	114	196	3	27	330	193	51	FCATG-400
FCLSG-40012	625	925	350	267.0	216.0	114	196	3	27	421	193	51	FCATG-400
FCLSG-5002	419	469	400	305.0	248.0	114	228	3	27	401	228	63	FCATG-500
FCLSG-5006	519	669	400	305.0	248.0	114	228	3	27	480	228	63	FCATG-500
FCLSG-50012	669	969	400	305.0	248.0	114	228	3	27	599	228	63	FCATG-500
FCLSG-6002	429	479	430	330.0	267.0	114	247	3	27	474	241	76	FCATG-600
FCLSG-6006	529	679	430	330.0	267.0	114	247	3	27	565	241	76	FCATG-600
FCLSG-60012	679	979	430	330.0	267.0	114	247	3	27	701	241	76	FCATG-600
FCLSG-8002	474	524	505	387.0	317.0	149	297	3	27	741	287	75	FCATG-800
FCLSG-8006	574	724	505	387.0	317.0	149	297	3	27	880	287	75	FCATG-800
FCLSG-80012	724	1024	505	387.0	317.0	149	297	3	27	1058	287	75	FCATG-800
FCLSG-10002	564	64	560	343.0	343.0	174	323	3	27	1062	311	93	FCATG-1000
FCLSG-10006	664	814	560	343.0	343.0	174	323	3	27	1213	311	93	FCATG-1000
FCLSG-100012	814	1114	560	343.0	343.0	174	323	3	27	1439	311	93	FCATG-1000