

Kapasite **50-1000 ton**Strok: **50-300mm**Maksimum Çalışma Basıncı **700 bar**

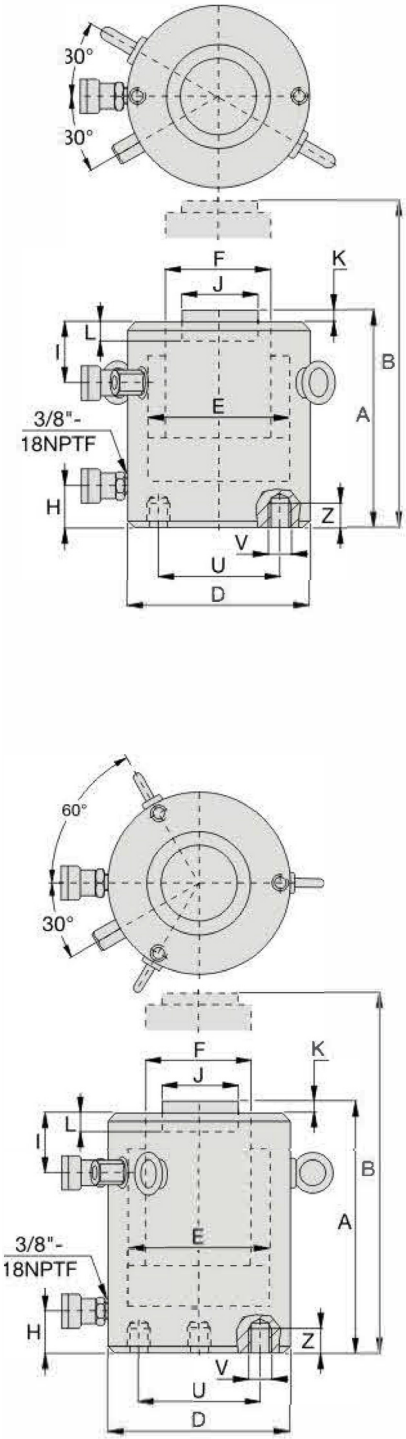
Pompa Seçimi
Çift etkili bir silindir, 4 yollu bir valfe sahip bir pompa tarafından çalıştırılmalıdır.

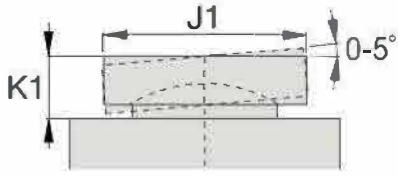
- Pozitif geri çekme için çift etkili
- Piston uç çıkmasını engelleyen dahili durdurma halkası
- Silindir geri çekme tarafındaki güvenlik valfi, kazara aşırı basınç durumunda hasarı önlemeye yardımcı olur
- Piston wiper'ı, silindir ömrünü uzatarak kirletici maddeleri engeller
- Isıl işlem görmüş emaye kaplama ve kaplanmış pistonlar daha iyi bir korozyon koruması sağlar.

Model Numarası	Silindir Kapasitesi ton (kN)	Strok (mm)	Silindir Etkili Alanı (cm ²)		Yağ Kapasitesi (cm ³)		Açık Yükseklik (mm)
			İtme	Çekme	İtme	Çekme	
FCLRG-502	50 (539)	50	77.0	38.5	385	192	162
FCLRG-504		100	77.0	38.5	770	385	212
FCLRG-506		150	77.0	38.5	1155	577	262
FCLRG-508		200	77.0	38.5	1540	770	312
FCLRG-5010		250	77.0	38.5	1924	962	362
FCLRG-5012		300	77.0	38.5	2309	1155	412
FCLRG-1002	100 (929)	50	132.7	61.9	664	309	179
FCLRG-1004		100	132.7	61.9	1327	619	229
FCLRG-1006		150	132.7	61.9	1991	928	279
FCLRG-1008		200	132.7	61.9	2655	1237	329
FCLRG-10010		250	132.7	61.9	3318	1546	379
FCLRG-10012		300	132.7	61.9	3982	1856	429
FCLRG-1502	150 (1390)	50	198.6	96.5	993	482	196
FCLRG-1504		100	198.6	96.5	1986	965	246
FCLRG-1506		150	198.6	96.5	2978	1447	296
FCLRG-1508		200	198.6	96.5	3971	1930	346
FCLRG-15010		250	198.6	96.5	4964	2412	396
FCLRG-15012		300	198.6	96.5	5957	2895	446
FCLRG-2002	200 (1861)	50	265.9	127.0	1330	635	212
FCLRG-2006		100	265.9	127.0	3989	1905	312
FCLRG-20012		150	265.9	127.0	7977	3809	462
FCLRG-2502	250 (2565)	50	366.4	152.6	1832	763	235
FCLRG-2506		100	366.4	152.6	5497	2289	335
FCLRG-25012		150	366.4	152.6	10993	4578	485
FCLRG-3002	300 (3193)	50	456.2	151.4	2281	757	322
FCLRG-3006		100	456.2	151.4	6843	2270	422
FCLRG-30012		150	456.2	151.4	13685	4541	572
FCLRG-4002	400 (3919)	50	559.9	193.5	2800	967	374
FCLRG-4006		100	559.9	193.5	8399	2902	474
FCLRG-40012		150	559.9	193.5	16797	5804	624
FCLRG-5002	500 (5114)	50	730.6	247.6	3653	1238	419
FCLRG-5006		100	730.6	247.6	10959	3713	519
FCLRG-50012		150	730.6	247.6	21918	7427	669
FCLRG-6002	600 (5987)	50	855.3	295.4	4276	1477	429
FCLRG-6006		100	855.3	295.4	12829	4431	529
FCLRG-60012		150	855.3	295.4	25659	8862	679
FCLRG-8002	800 (8234)	50	1176.3	387.0	5881	1935	484
FCLRG-8006		100	1176.3	387.0	17644	5806	584
FCLRG-80012		150	1176.3	387.0	35288	11611	734
FCLRG-10002	1000 (10260)	50	1465.7	541.7	7329	2709	564
FCLRG-10006		100	1465.7	541.7	21986	8126	664
FCLRG-100012		150	1465.7	541.7	43972	16252	814

Taban Montaj Deliği Boyutları (mm)			
Model / Kapasite ton	Cıvata Çemberi U	Dış Boyutu V	Minimum Dış Derinliği Z
FCLRG-50	65	2x M12	22
FCLRG-100	95	2x M12	22
FCLRG-150	130	2x M12	22
FCLRG-200	165	3x M12	22
FCLRG-250	190	3x M12	22
FCLRG-300	180	3x M16	30
FCLRG-400	205	3x M16	30
FCLRG-500	250	3x M24	36
FCLRG-600	275	3x M24	36
FCLRG-800	330	3x M24	36
FCLRG-1000	375	3x M24	36

Model	Silindir Kapasitesi ton (kN)	Strok (mm)	Maksimum Silindir Kapasitesi (kN)		Silindir Etkili Alanı (cm ²)		Yağ Kapasitesi (cm ³)	
			İtme	Çekme	İtme	Çekme	İtme	Çekme
FCLRG-502	50	50	539	269	77.0	38.5	385	192
FCLRG-504		100	539	269	77.0	38.5	770	385
FCLRG-506		150	539	269	77.0	38.5	1155	577
FCLRG-508		200	539	269	77.0	38.5	1540	770
FCLRG-5010		250	539	269	77.0	38.5	1924	962
FCLRG-5012		300	539	269	77.0	38.5	2309	1155
FCLRG-1002	100	50	929	433	132.7	61.9	664	309
FCLRG-1004		100	929	433	132.7	61.9	1327	619
FCLRG-1006		150	929	433	132.7	61.9	1991	928
FCLRG-1008		200	929	433	132.7	61.9	2655	1237
FCLRG-10010		250	929	433	132.7	61.9	3318	1546
FCLRG-10012		300	929	433	132.7	61.9	3982	1856
FCLRG-1502	150	50	1390	675	198.6	96.5	993	482
FCLRG-1504		100	1390	675	198.6	96.5	1986	965
FCLRG-1506		150	1390	675	198.6	96.5	2978	1447
FCLRG-1508		200	1390	675	198.6	96.5	3971	1930
FCLRG-15010		250	1390	675	198.6	96.5	4964	2412
FCLRG-15012		300	1390	675	198.6	96.5	5957	2895
FCLRG-2002	200	50	1861	889	265.9	127.0	1330	635
FCLRG-2006		150	1861	889	265.9	127.0	3989	1905
FCLRG-20012		300	1861	889	265.9	127.0	7977	3809
FCLRG-2502	250	50	2565	1068	366.4	152.6	1832	763
FCLRG-2506		150	2565	1068	366.4	152.6	5497	2289
FCLRG-25012		300	2565	1068	366.4	152.6	10993	4578
FCLRG-3002	300	50	3193	1060	456.2	151.4	2281	757
FCLRG-3006		150	3193	1060	456.2	151.4	6843	2270
FCLRG-30012		300	3193	1060	456.2	151.4	13685	4541
FCLRG-4002	400	50	3919	1354	559.9	193.5	2800	967
FCLRG-4006		150	3919	1354	559.9	193.5	8399	2902
FCLRG-40012		300	3919	1354	559.9	193.5	16797	5804
FCLRG-5002	500	50	5114	1733	730.6	247.6	3653	1238
FCLRG-5006		150	5114	1733	730.6	247.6	10959	3713
FCLRG-50012		300	5114	1733	730.6	247.6	21918	7427
FCLRG-6002	600	50	5987	2068	855.3	295.4	4276	1477
FCLRG-6006		150	5987	2068	855.3	295.4	12829	4431
FCLRG-60012		300	5987	2068	855.3	295.4	25659	8862
FCLRG-8002	800	50	8234	2709	1176.3	387.0	5881	1935
FCLRG-8006		150	8234	2709	1176.3	387.0	17644	5806
FCLRG-80012		300	8234	2709	1176.3	387.0	35288	11611
FCLRG-10002	1000	50	10260	1465.7	1465.7	541.7	7329	2709
FCLRG-10006		150	10260	1465.7	1465.7	541.7	21986	8126
FCLRG-100012		300	10260	1465.7	1465.7	541.7	43972	16252





İsteğe Bağlı Eğimli Yatak*

Model Numarası	Kapalı Yükseklik A (mm)	Açık Yükseklik B (mm)	Dış Çap D (mm)	Silindir Çapı E (mm)	Piston Çapı (dişli) F (mm)	Tabandan Porta H (mm)	Üstten Geri Çekme Portuna (mm)	Standart Taban Çapı J (mm)	Taban Çıkıntısı K (mm)	Piston Deliği Derinliği L (mm)	KG	İsteğe Bağlı Eğimli Taban		
												Taban Çapı J1 (mm)	Taban Yüksekliği K1 (mm)	Taban Model Numarası
FCLRG-502	162	212	130	99	70	52	33	50	1	19	17	50	24	FCATG-50
FCLRG-504	212	312	130	99	70	52	33	50	1	19	20	50	24	FCATG-50
FCLRG-506	262	412	130	99	70	52	33	50	1	19	23	50	24	FCATG-50
FCLRG-508	312	512	130	99	70	52	33	50	1	19	27	50	24	FCATG-50
FCLRG-5012	362	612	130	99	70	52	33	50	1	19	31	50	24	FCATG-50
FCLRG-5012	412	712	130	99	70	52	33	50	1	19	34	50	24	FCATG-50
FCLRG-1002	179	229	165	130	95	54	48	75	1	19	29	73	29	FCATG-100
FCLRG-1004	229	329	165	130	95	54	48	75	1	19	34	73	29	FCATG-100
FCLRG-1006	279	429	165	130	95	54	48	75	1	19	40	73	29	FCATG-100
FCLRG-1008	329	529	165	130	95	54	48	75	1	19	46	73	29	FCATG-100
FCLRG-10010	379	629	165	130	95	54	48	75	1	19	52	73	29	FCATG-100
FCLRG-10012	429	729	165	130	95	54	48	75	1	19	58	73	29	FCATG-100
FCLRG-1502	196	246	205	159	114	61	56	94	1	19	39	91	31	FCATG-150
FCLRG-1504	246	346	205	159	114	61	56	94	1	19	52	91	31	FCATG-150
FCLRG-1506	296	446	205	159	114	61	56	94	1	19	65	91	31	FCATG-150
FCLRG-1508	346	546	205	159	114	61	56	94	1	19	78	91	31	FCATG-150
FCLRG-15010	396	646	205	159	114	61	56	94	1	19	92	91	31	FCATG-150
FCLRG-15012	446	746	205	159	114	61	56	94	1	19	105	91	31	FCATG-150
FCLRG-2002	212	262	235	184	133	67	66	113	1	24	55	118	35	FCATG-200
FCLRG-2006	312	462	235	184	133	67	66	113	1	24	91	118	35	FCATG-200
FCLRG-20012	462	762	235	184	133	67	66	113	1	24	146	118	35	FCATG-200
FCLRG-2502	235	285	275	216	165	73	78	145	1	24	89	144	46	FCATG-250
FCLRG-2506	335	485	275	216	165	73	78	145	1	24	136	144	46	FCATG-250
FCLRG-25012	485	785	275	216	165	73	78	145	1	24	207	144	46	FCATG-250
FCLRG-3002	322	372	310	241	197	101	75	177	1	19	184	160	62	FCATG-300
FCLRG-3006	422	572	310	241	197	101	75	177	1	19	232	160	62	FCATG-300
FCLRG-30012	572	872	310	241	197	101	75	177	1	19	303	160	62	FCATG-300
FCLRG-4002	374	424	350	267	216	114	105	196	3	27	270	193	51	FCATG-400
FCLRG-4006	474	624	350	267	216	114	105	196	3	27	330	193	51	FCATG-400
FCLRG-40012	624	924	350	267	216	114	105	196	3	27	421	193	51	FCATG-400
FCLRG-5002	419	469	400	305	248	114	135	228	3	27	401	228	63	FCATG-500
FCLRG-5006	519	669	400	305	248	114	135	228	3	27	480	228	63	FCATG-500
FCLRG-50012	669	969	400	305	248	114	135	228	3	27	599	228	63	FCATG-500
FCLRG-6002	429	479	430	330	267	114	135	247	3	27	474	241	76	FCATG-600
FCLRG-6006	529	679	430	330	267	114	135	247	3	27	565	241	76	FCATG-600
FCLRG-60012	679	979	430	330	267	114	135	247	3	27	701	241	76	FCATG-600
FCLRG-8002	484	534	505	387	317	149	135	297	3	27	741	287	75	FCATG-800
FCLRG-8006	584	734	505	387	317	149	135	297	3	27	868	287	75	FCATG-800
FCLRG-80012	734	1034	505	387	317	149	135	297	3	27	1058	287	75	FCATG-800
FCLRG-10002	564	614	560	432	343	174	170	323	3	27	1062	311	93	FCATG-1000
FCLRG-10006	664	814	560	432	343	174	170	323	3	27	1213	311	93	FCATG-1000
FCLRG-100012	814	1114	560	432	343	174	170	323	3	27	1439	311	93	FCATG-1000