

Kapasite

50-1000 ton

Strok:

50-300mm

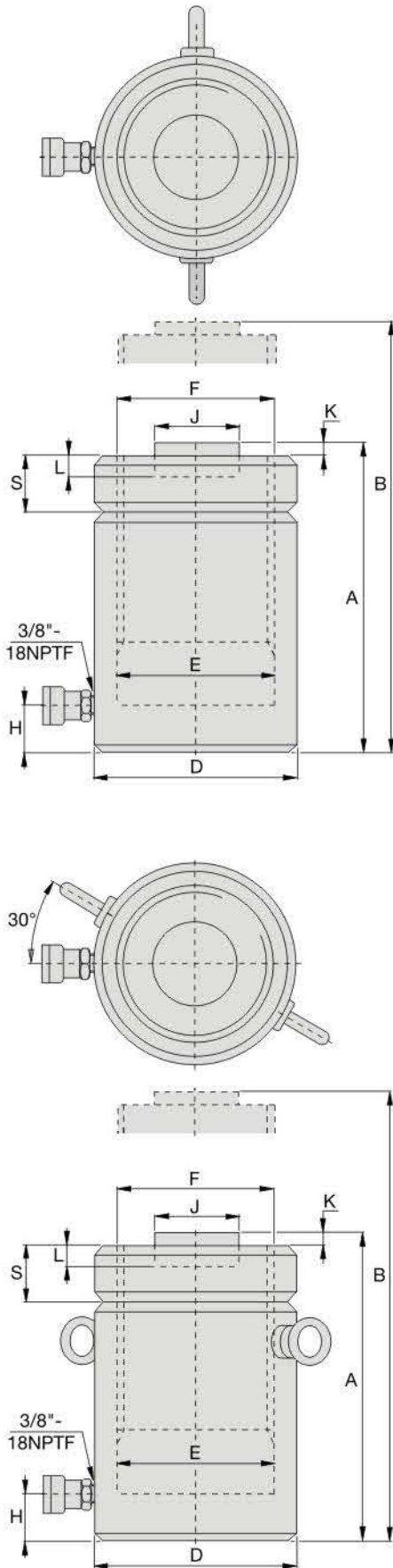
Maksimum Çalışma Basıncı

700 bar

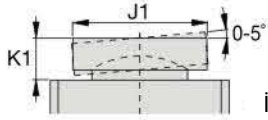
Model Numarası	Silindir Kapasitesi ton (kN)	Strok (mm)	Silindir Etkili Alanı (cm ²)	Yağ Kapasitesi (cm ³)	Açık Yükseklik (mm)	KG
FCLL-502	50 (496)	50	70.9	355	164	15
FCLL-504		100	70.9	709	215	20
FCLL-506		150	70.9	1064	264	25
FCLL-508		200	70.9	1418	314	30
FCLL-5010		250	70.9	1773	364	35
FCLL-5012		300	70.9	2127	414	40
FCLL-1002	100 (929)	50	132.7	664	187	30
FCLL-1004		100	132.7	1327	237	39
FCLL-1006		150	132.7	1991	287	48
FCLL-1008		200	132.7	2654	337	56
FCLL-10010		250	132.7	3318	387	64
FCLL-10012		300	132.7	3981	437	73
FCLL-1502	150 (1390)	50	198.6	993	209	53
FCLL-1504		100	198.6	1986	259	66
FCLL-1506		150	198.6	2979	309	78
FCLL-1508		200	198.6	3972	359	92
FCLL-15010		250	198.6	4965	409	104
FCLL-15012		300	198.6	5958	459	117
FCLL-2002	200 (1859)	50	265.6	1330	243	83
FCLL-2006		150	265.6	3989	343	117
FCLL-20012		300	265.6	7995	493	170
FCLL-2502	250 (2562)	50	366.1	1832	249	116
FCLL-2506		150	366.1	5496	349	162
FCLL-25012		300	366.1	10995	499	234
FCLL-3002	300 (3193)	50	456.2	2281	295	173
FCLL-3006		150	456.2	6843	395	233
FCLL-30012		300	456.2	13740	545	232
FCLL-4002	400 (3919)	50	559.9	2800	335	250
FCLL-4006		150	559.9	8399	435	327
FCLL-40012		300	559.9	16800	585	441
FCLL-5002	500 (5118)	50	731.1	3653	375	367
FCLL-5006		150	731.1	10959	475	466
FCLL-50012		300	731.1	21930	625	617
FCLL-6002	600 (5983)	50	854.8	4277	395	446
FCLL-6006		150	854.8	12830	495	562
FCLL-60012		300	854.8	25650	645	737
FCLL-8002	800 (8238)	50	1176.9	5882	455	709
FCLL-8006		150	1176.9	17645	555	870
FCLL-80012		300	1176.9	35370	705	1110
FCLL-10002	1000 (10260)	50	1466.4	7329	495	949
FCLL-10006		150	1466.4	21986	595	1141
FCLL-100012		300	1466.4	43980	745	1430

- Tek etkili, yük geri dönüşü
- Mekanik yük tutma için güvenlik kilidi
- Daha pürüzsüz çalışma için geliştirilmiş korozyona karşı dayanıklılığı artıran ve sürtünmeyi azaltan özel sentetik kaplama
- Taşma bağlantı noktası, strok sınırlayıcısı olarak işlev görür
- Değiştirilebilir, sertleştirilmiş oluklu Sırtlıklar standarttır
- Yükleri Mekanik Olarak Güvenceye Alma





Model Numarası	Silindir Kapasitesi ton (kN)	Strok (mm)	Silindir Etkili Alanı (cm ²)	Yağ Kapasitesi (cm ³)
FCLL-502	50 (496)	50	70.9	355
FCLL-504		100	70.9	709
FCLL-506		150	70.9	1064
FCLL-508		200	70.9	1418
FCLL-5010		250	70.9	1773
FCLL-5012		300	70.9	2127
FCLL-1002	100 (929)	50	132.7	664
FCLL-1004		100	132.7	1327
FCLL-1006		150	132.7	1991
FCLL-1008		200	132.7	2654
FCLL-10010		250	132.7	3318
FCLL-10012		300	132.7	3981
FCLL-1502	150 (1390)	50	198.6	993
FCLL-1504		100	198.6	1986
FCLL-1506		150	198.6	2979
FCLL-1508		200	198.6	3972
FCLL-15010		250	198.6	4965
FCLL-15012		300	198.6	5958
FCLL-2002	200 (1859)	50	265.6	1330
FCLL-2006		150	265.6	3989
FCLL-20012		300	265.6	7995
FCLL-2502	250 (2562)	50	366.1	1832
FCLL-2506		150	366.1	5496
FCLL-25012		300	366.1	10995
FCLL-3002	300 (3193)	50	456.2	2281
FCLL-3006		150	456.2	6843
FCLL-30012		300	456.2	13740
FCLL-4002	400 (3919)	50	559.9	2800
FCLL-4006		150	559.9	8399
FCLL-40012		300	559.9	16800
FCLL-5002	500 (5118)	50	731.1	3653
FCLL-5006		150	731.1	10959
FCLL-50012		300	731.1	21930
FCLL-6002	600 (5983)	50	854.8	4277
FCLL-6006		150	854.8	12830
FCLL-60012		300	854.8	25650
FCLL-8002	800 (8238)	50	1176.9	5882
FCLL-8006		150	1176.9	17645
FCLL-80012		300	1176.9	35370
FCLL-10002	1000 (10260)	50	1466.4	7329
FCLL-10006		150	1466.4	21986
FCLL-100012		300	1466.4	43980



İsteğe Bağlı Eğimli Yatak*

Model Numarası	Kol. Yükseklik A (mm)	Uz. Yükseklik B (mm)	Dış Çap D (mm)	Silindir Çapı E (mm)	Piston Çapı (dişli) F (mm)	Tabandan Porta H (mm)	Standart Taban Çapı J (mm)	Taban Çıkıntısı K (mm)	Piston Deliği Derinliği L (mm)	Kilit Somun Yüksekliği S (mm)	KG	İsteğe Bağlı Eğimli Taban		
												Taban Çapı J1 (mm)	Taban Yüksekliği K1 (mm)	Taban Model Numarası
FCLL-502	164	214	125	95.0	Tr 95 x 4	30	71	2	13	36	15	71	24	FCAT-100
FCLL-504	214	314	125	95.0	Tr 95 x 4	30	71	2	13	36	20	71	24	FCAT-100
FCLL-506	264	414	125	95.0	Tr 95 x 4	30	71	2	13	36	25	71	24	FCAT-100
FCLL-508	314	514	125	95.0	Tr 95 x 4	30	71	2	13	36	30	71	24	FCAT-100
FCLL-5012	364	614	125	95.0	Tr 95 x 4	30	71	2	13	36	35	71	24	FCAT-100
FCLL-5012	414	714	125	95.0	Tr 95 x 4	30	71	2	13	36	40	71	24	FCAT-100
FCLL-1002	187	237	165	130.0	Tr 130 x 6	30	71	2	13	44	30	71	24	FCAT-100
FCLL-1004	237	337	165	130.0	Tr 130 x 6	30	71	2	13	44	39	71	24	FCAT-100
FCLL-1006	287	437	165	130.0	Tr 130 x 6	30	71	2	13	44	48	71	24	FCAT-100
FCLL-1008	337	537	165	130.0	Tr 130 x 6	30	71	2	13	44	56	71	24	FCAT-100
FCLL-10010	387	637	165	130.0	Tr 130 x 6	30	71	2	13	44	64	71	24	FCAT-100
FCLL-10012	437	737	165	130.0	Tr 130 x 6	30	71	2	13	44	73	71	24	FCAT-100
FCLL-1502	209	259	205	159.0	Tr 159 x 6	39	130	2	25	44	53	130	20	FCAT-200
FCLL-1504	259	359	205	159.0	Tr 159 x 6	39	130	2	25	44	66	130	20	FCAT-200
FCLL-1506	309	459	205	159.0	Tr 159 x 6	39	130	2	25	44	78	130	20	FCAT-200
FCLL-1508	359	559	205	159.0	Tr 159 x 6	39	130	2	25	44	92	130	20	FCAT-200
FCLL-15010	409	659	205	159.0	Tr 159 x 6	39	130	2	25	44	104	130	20	FCAT-200
FCLL-15012	459	759	205	159.0	Tr 159 x 6	39	130	2	25	44	117	130	20	FCAT-200
FCLL-2002	243	293	235	184.0	Tr 184 x 6	50	130	2	25	50	83	130	20	FCAT-200
FCLL-2006	343	493	235	184.0	Tr 184 x 6	50	130	2	25	50	117	130	20	FCAT-200
FCLL-20012	493	793	235	184.0	Tr 184 x 6	50	130	2	25	50	170	130	20	FCAT-200
FCLL-2502	249	299	275	216.0	Tr 216 x 6	50	150	2	25	56	116	150	21	FCAT-250
FCLL-2506	349	499	275	216.0	Tr 216 x 6	50	150	2	25	56	162	150	21	FCAT-250
FCLL-25012	499	799	275	216.0	Tr 216 x 6	50	150	2	25	56	234	150	21	FCAT-250
FCLL-3002	295	345	310	241.0	Tr 241 x 6	59	139	5	25	60	173	195	75	FCAT-300
FCLL-3006	395	545	310	241.0	Tr 241 x 6	59	139	5	25	60	233	195	75	FCAT-300
FCLL-30012	545	845	310	241.0	Tr 241 x 6	59	139	5	25	60	323	195	75	FCAT-300
FCLL-4002	335	385	350	267.0	Tr 266 x 6	70	159	5	25	70	250	225	85	FCAT-400
FCLL-4006	435	585	350	267.0	Tr 266 x 6	70	159	5	25	70	327	225	85	FCAT-400
FCLL-40012	585	885	350	267.0	Tr 266 x 6	70	159	5	25	70	441	225	85	FCAT-400
FCLL-5002	375	425	400	305.0	Tr 305 x 6	80	179	5	25	80	367	250	91	FCAT-500
FCLL-5006	475	625	400	305.0	Tr 305 x 6	80	179	5	25	80	466	250	91	FCAT-500
FCLL-50012	625	925	400	305.0	Tr 305 x 6	80	179	5	25	80	617	250	91	FCAT-500
FCLL-6002	395	445	430	330.0	Tr 330 x 6	85	194	5	25	85	446	275	96	FCAT-600
FCLL-6006	495	645	430	330.0	Tr 330 x 6	85	194	5	25	85	562	275	96	FCAT-600
FCLL-60012	645	945	430	330.0	Tr 330 x 6	85	194	5	25	85	737	275	96	FCAT-600
FCLL-8002	455	505	505	387.0	Tr 387 x 6	100	224	5	25	100	709	320	123	FCAT-800
FCLL-8006	555	705	505	387.0	Tr 387 x 6	100	224	5	25	100	870	320	123	FCAT-800
FCLL-80012	705	1005	505	387.0	Tr 387 x 6	100	224	5	25	100	1110	320	123	FCAT-800
FCLL-10002	495	545	560	432.0	Tr 432 x 6	110	249	5	25	110	949	360	136	FCAT-1000
FCLL-10006	595	745	560	432.0	Tr 432 x 6	110	249	5	25	110	1141	360	136	FCAT-1000
FCLL-100012	745	1045	560	432.0	Tr 432 x 6	110	249	5	25	110	1430	360	136	FCAT-1000